

CONTEG DATASHEET

FREE-STANDING RACKS

PREMIUM Server RSF

CONTEG, spol. s r.o.

Czech Republic Headquarters:

Na Vítězné pláni 1719/4

140 00 Prague 4

Tel.: +420 261 219 182

Fax: +420 261 219 192

Production plant in the Czech Republic:

K Silu 2179

393 01 Pelhřimov

Tel.: +420 565 300 300

Fax: +420 565 533 955

Local Branches/Offices

Austria: +43 170 659 0115

Benelux: +32 477 957 126

Eastern Europe / Nordics: +49 172 8484 346

France, Maghreb: +33 686 074 386

Germany / Switzerland /
Baltics / Denmark / Italy: +49 170 523 4958

India: +91 99 1695 0773

Middle East: +971 4445 2838

Russia, CIS: +7 495 967 3840

conteg@conteg.com

www.conteg.com

PREMIUM Server RSF

The PREMIUM Server RSF rack is designed as a pure server cabinet for data centers, equipment rooms and network or telecommunication closets. RSF's heavy-duty, all-welded design and 1500 kg load rating mean that it's possible to accommodate the heavy equipment within a standard rack footprint. The RSF comes with a full range of doors, panels and locks. Available in various heights and depths, RSF is designed to work with Conteg's airflow optimization solutions and flexible cable management systems, which means that RSF can be tailored to suit your needs. RSF can be used with many complementary systems (e.g. Intelligent Power PDUs – see appropriate data sheet), making your servers safe and secure.

COLOR SAMPLER:

RAL 9005

RAL 7035



RSF-42-80/80

DESCRIPTION:

Sizes

- Height: 27, 42, 45, 48U
- Width: 600, 800 mm
- Depth: 800, 1000, 1200 mm (1200 mm not available for 27U)

Construction

- Welded-frame design
- 1.5 & 2.0 mm sheet steel

Load rating

- 1500 kg balanced load (1000 kg for 27U only)

19" vertical extrusions

- 2 pairs of sliding 19" vertical L-type (600 mm) or P-type (800 mm) extrusions (Provide additional 12U of installation space – valid for racks 42U and taller), adjustable from inside
- Rear pair of vertical extrusions is divided in up to 3 parts (according to rack's height) for individual settings according to server depth

IP rating

- Standard IP20
- IP40 when solid doors or panels applied
- Optionally up to IP54 with multipoint lock only
- A/C-ready – IP54 when A/C unit installed with multipoint lock only

Colors

- Standard RAL 7035 and 9005
- Optionally other colors

Front door

- Vented door – perforation rate 83%
- Swivel handle lock – DIN profile, universal key 333, multipoint; optionally half profile cylinder or combination lock single or multipoint (other locks on request)
- Door opening angle 180°
- Easy re-hanging to open on right or left
- Optionally glass, steel, perforated, glass with perforation, vertically divided door

Rear door

- Vented door – perforation rate 83%
- Swivel handle lock – DIN profile, universal key 333, multipoint; optionally half profile cylinder or combination lock single or multipoint (other locks on request)
- Optionally can be replaced by full range of front doors and panels

Side panels

- Removable with locks

Top plate

- Single-piece design, removable
- 4" (100 mm) rounded cable entry in every corner covered by plastic cap
- 300x100 mm cable entries covered with removable sheet steel blank panels

Bottom plate

- Segmented design, removable
- 4" (100 mm) rounded cable entry in every corner covered by plastic caps
- 300x100 mm cable entries covered with removable sheets steel blank panels

Feet

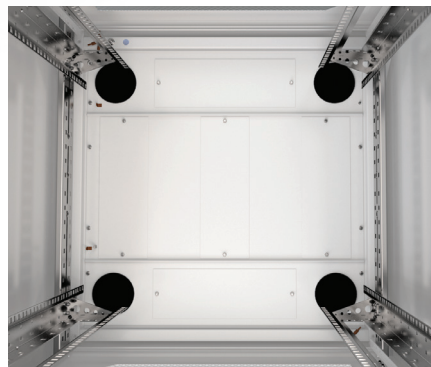
- Adjustable feet as standard; plinth or plinth with filter options

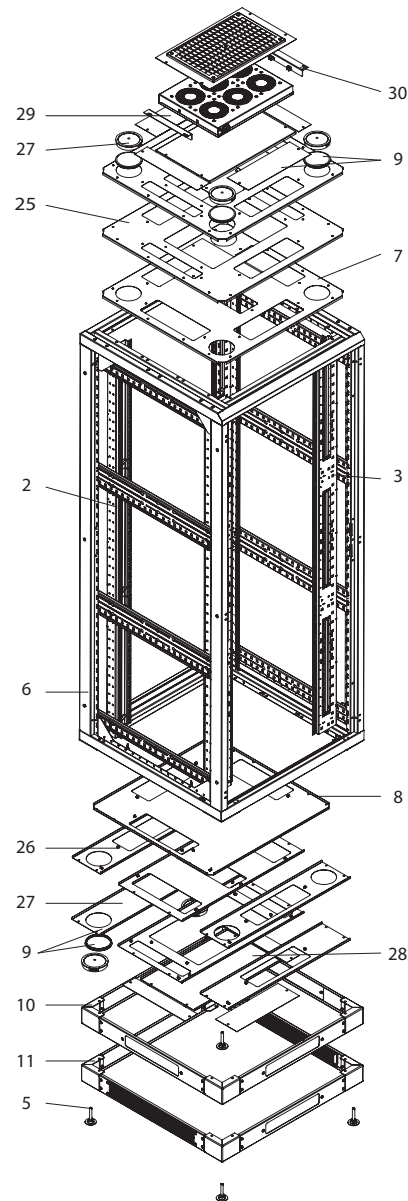
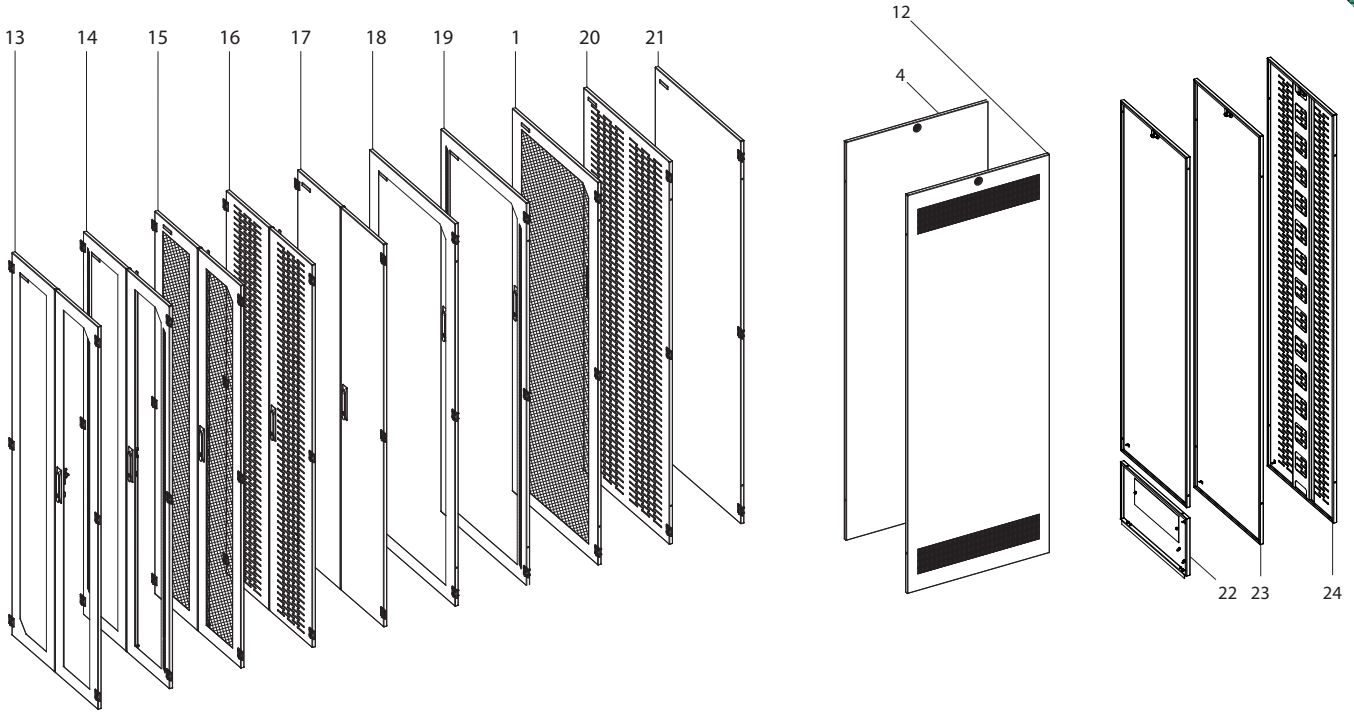
Adaptation

- Possibility to adapt for installation of 21" equipment (on request only for 800 mm width)
- Adaptor DP-RE-01 needed (ordered separately)

Other

- Racks can be installed in blocks by using DP-DR-UNI (ordered separately)
- CoolTeg and CoolSpot cooling units compatible – see appropriate data sheet for details
- GND/earthing kit included





STANDARD EQUIPMENT

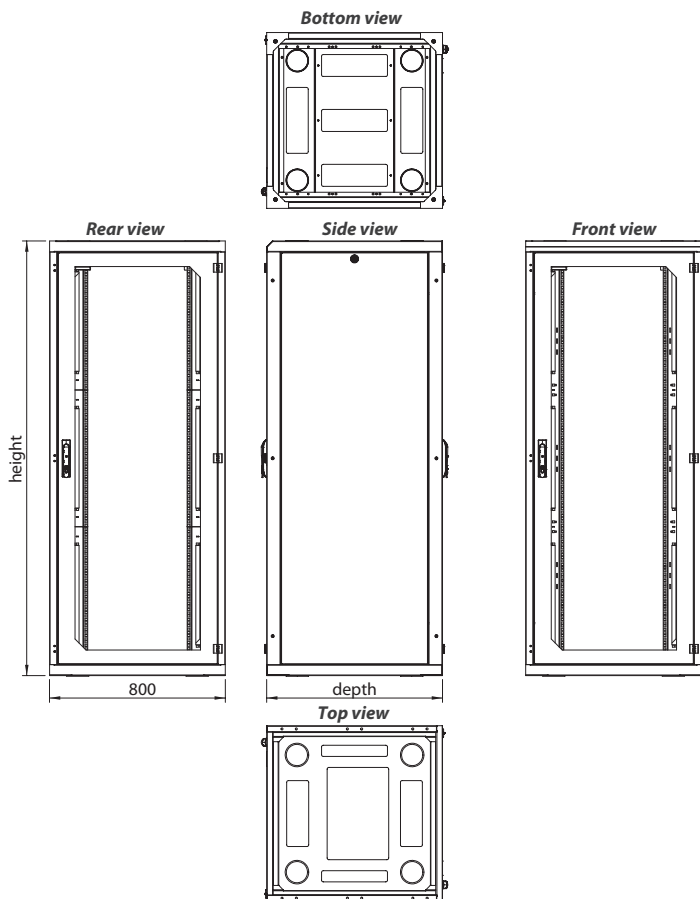
- 1 Front and rear vented door 83% with multipoint swivel handle lock
- 2 2 pairs of 19" sliding extrusions
- 3 Holders for vertical extrusions
- 4 1 pair of side panels with lock
- 5 Adjustable feet
- 6 Frame of rack
- 7 Removable F-design top plate with cable entry openings
- 8 Removable segmented bottom plate set (consists of C and F-design plates, may differ for other rack footprints) with cable entry openings
- 9 Plastic caps and blank panels for cable entry openings
- GND/earthing kit
- 28 mounting kits
- BONUS: 2 rounded cable grommets with brush DP-KP-RB4 for free

OPTIONAL EQUIPMENT (EXAMPLES)

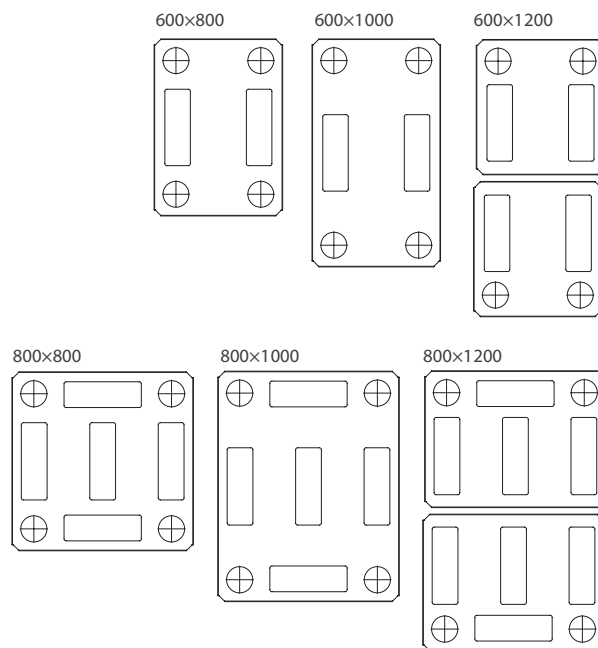
- 10 Plinth
- 11 Plinth with filter
- 12 1 pair of side panels with perforation
- 13 Vertically divided glass door ^{1,2}
- 14 Vertically divided glass door with perforation ^{1,2}
- 15 Vertically divided vented door 83% ²
- 16 Vertically divided perforated sheet steel door ²
- 17 Vertically divided sheet steel door ²
- 18 Glass door
- 19 Glass door with side perforation
- 20 Perforated sheet steel door
- 21 Sheet steel door
- 22 Rear panel with module
- 23 Rear panel – 1 piece
- 24 Rear panel – perforated
- 25 Removable B-design top plate with cable entry and ventilation openings
- Removable segmented bottom plate set (consists of B and G-design plates, may differ for other rack footprints) with cable entry and ventilation openings
- 26
- 27 Rounded cable grommet with brush
- 28 Blank panels for ventilation openings
- 29 Ventilation unit
- 30 Connecting kit with filter for ventilation unit

¹ not available for 600 mm wide racks

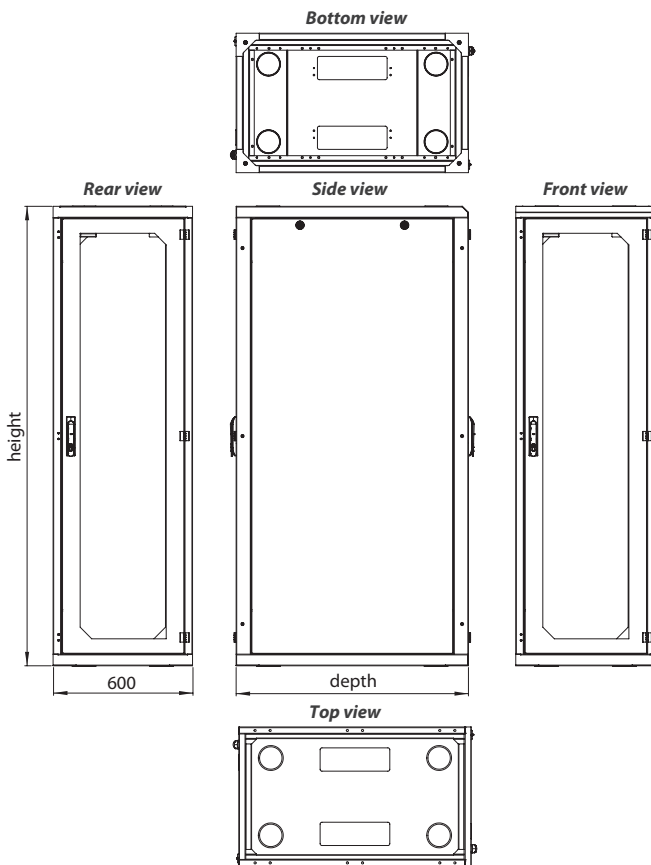
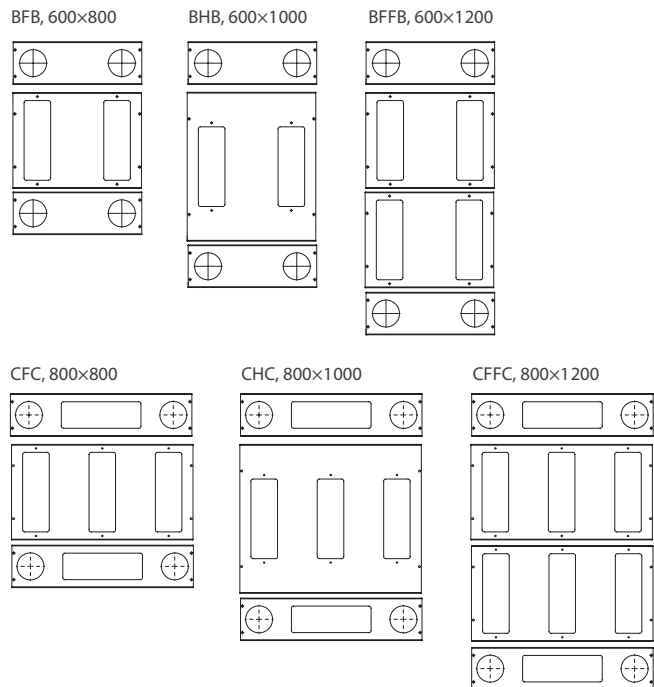
² requires multipoint lock



Top plates – F design



Bottom plates



Cable entries – racks 800x800, 800x1000 mm

- 5 openings (300x100 mm) in both top and bottom plates
- 4 openings 4" (100 mm) in both top and bottom plates

Cable entries – racks 800x1200 mm

- 8 openings (300x100 mm) in both top and bottom plates
- 4 openings 4" (100 mm) in both top and bottom plates

Cable entries – racks 600x800, 600x1000 mm

- 2 openings (300x100 mm) in both top and bottom plates
- 4 openings 4" (100 mm) in both top and bottom plates

Cable entries – racks 600x1200 mm

- 4 openings (300x100 mm) in both, top and bottom, plates
- 4 openings, 4" (100 mm) in both top and bottom plates

All cable entries are covered by blanking panels or plastic caps.
An individual plates can be defined – go to last page.

Note: All dimensions in mm

ORDERING AND SHIPPING INFORMATION: Configure the rack that will meet your requirements. The ordering matrix below will help you in creating the part number. As soon as you have the part number, please contact your Conteg products distributor. Please note, that all **RSF RACKS ARE DELIVERED FULLY ASSEMBLED** and palletized!

FOLLOW THE STEPS TO SET UP THE DESIRED RSF RACK PRODUCT CODE!

- R
- S
- F
-
- 1.
-
- 2.
- /
- 3.
- 4.
-
- 5.
- 6.
- 7.
- 8.
- 9.
-
- 10.
- 11.
- 12.
-
- 13.

HEIGHT		
Code	Height in U	External height in mm
1 27	27	1311
42	42	1978
45	45	2111
48	48	2245

WIDTH	
Code	Width in mm
2 60	600
80	800

DEPTH		
Code	Depth in mm	Useful depth in mm
3 8	800	790
10	1000	990
12	1200	1190

EXTRUSIONS			
Code	Front pair	Rear pair	Note
4 T	L	L divided	L-type extrusions, rear pair divided – for racks 600 mm wide only
U	P	P divided	P-type extrusions, rear pair divided – for racks 800 mm wide only, each extrusion with up to 3 additional 19" vertical positions (for 27U only 2 positions), blank panels not included

PLATES ¹			
Code	Top plate	Bottom plate	Note
11 A	B	Z	Top and bottom single piece plates, required for IP54
C	no top	Z	Open top – for A/C-ready option (table 10)
E	F	XXX/XXXX ²	Standard – one piece top plate, segmented bottom plate
F	F	no bottom ³	Open bottom – ready for installation on raised floor or plinth
X	no top ³	no bottom ³	Open top and bottom, for individual plates

¹For more information on plates go to last page
² 600x800: BFB, 600x1000: BHB, 600x1200: BFFB, 800x800: CFC, 800x1000: CHC, 800x1200: CFFC
³ Open top or bottom results in no IP protection unless otherwise stated

FRONT DOOR	
Code	Note
0	Without door ¹
G	Glass door
S	Sheet steel door
P	Perforated sheet steel door ²
T	Glass door with side perforation ³
5 W	Vented door (perforation rate 83%) ⁵
A	Vertically divided glass door ^{4 *}
B	Vertically divided glass door with side perforation ^{6 *}
C	Vertically divided sheet steel door ⁴
D	Vertically divided perforated sheet steel door ⁵
F	Vertically divided vented door (perforation rate 83%) ⁵
	Other

¹ no IP protection
² IP20 max.
³ IP30 max.
⁴ multipoint lock only
⁵ multipoint lock only, IP20 max.
⁶ multipoint lock only, IP30 max.
^{*} these options apply for RSF 800 only

REAR DOOR / PANEL	
Code	Note
0	Without panel/door ¹
G	Glass door
S	Sheet steel door
P	Perforated sheet steel door ²
T	Glass door with side perforation ³
7 W	Vented door (perforation rate 83%) ⁵
A	Vertically divided glass door ^{4 *}
B	Vertically divided glass door with side perforation ^{6 *}
C	Vertically divided sheet steel door ⁴
D	Vertically divided perforated sheet steel door ⁵
F	Vertically divided vented door (perforation rate 83%) ⁵
Y	Rear panel – single piece ⁷
R	Rear panel – divided, with cable entry ⁷
Z	Perforated rear panel – single piece ⁸
	Other

¹ no IP protection
² IP20 max.
³ IP30 max.
⁴ multipoint lock only
⁵ multipoint lock only, IP20 max.
⁶ multipoint lock only, IP30 max.
⁷ Lock code U or X only
⁸ Lock code U or X only, IP20 max.
^{*} these options apply for RSF 800 only

FRONT DOOR LOCK	
Code	Options
1	Swivel handle with electronic lock, universal key
3	Swivel handle with electronic lock, universal key, multipoint
E	Swivel handle with combination lock and universal key
F	Swivel handle with combination lock and universal key, multipoint
G	Swivel handle with combination lock, keyed different
6 H	Swivel handle with combination lock, keyed different, multipoint
I	Swivel handle with profile half cylinder, universal key
J	Swivel handle with profile half cylinder, universal key, multipoint
K	Swivel handle with profile half cylinder, keyed different
L	Swivel handle with profile half cylinder, keyed different, multipoint
V	Swivel handle DIN profile, universal key, 333
W	Swivel handle DIN profile, universal key, 333, multipoint
	Other

IP RATING ¹	
Code	Note
10 0	IP00
2	IP20
3	IP30
4	IP40
5	IP54 ³
A	A/C ready ²

¹ According to EN 60529
² Ready for A/C unit installation; recommended when cooling is planned or required; IP54 when A/C unit installed according to instructions
³ Multipoint lock only

LOAD RATING		
Code	Load rate in kg	Note
12 A	1000	27U only
F	1500	Balanced load

COLOR	
Code	Note
13 B	RAL 7035 (light gray)
H	RAL 9005 (black)

REAR DOOR / PANEL LOCK	
Code	Options
1	Swivel handle with electronic lock, universal key
3	Swivel handle with electronic lock, universal key, multipoint
E	Swivel handle with combination lock and universal key
F	Swivel handle with combination lock and universal key, multipoint
G	Swivel handle with combination lock, keyed different
H	Swivel handle with combination lock, keyed different, multipoint
8 I	Swivel handle with profile half cylinder, universal key
J	Swivel handle with profile half cylinder, universal key, multipoint
K	Swivel handle with profile half cylinder, keyed different
L	Swivel handle with profile half cylinder, keyed different, multipoint
V	Swivel handle DIN profile, universal key, 333
W	Swivel handle DIN profile, universal key, 333, multipoint
U	Lock for rear panel, universal key
X	Lock for rear panel, keyed different
	Other

SIDE PANELS (BOTH SIDES) *	
Code	Note
0	No side panels
A	2 side panels, sheet steel, universal key
B	1 side panel, sheet steel, universal key
C	2 side panels, sheet steel, individual key
D	1 side panel, sheet steel, individual key
E	2 side panels, sheet steel with perforation, universal key
F	1 side panel, sheet steel with perforation, universal key
G	2 side panels, sheet steel with perforation, individual key
H	1 side panel, sheet steel with perforation, individual key
	Other

* open side/sides results in no IP protection; side panels with perforation result in protection rating IP20 max.

An example of a correct product code

RSF-48-80/12U-WWFWA-2EF-B

Code	H in U	Load rating in kg	Dimensions in mm				Dimensions incl. packing in mm			Gross weight in kg
			H *	W	D	Useful depth	H	W	D	
RSF-27-60/80	27	1000	1311	600	800	790	1500	640	840	85
RSF-42-60/80	42	1500	1978	600	800	790	2160	640	840	112
RSF-45-60/80	45	1500	2111	600	800	790	2290	640	840	119
RSF-48-60/80	48	1500	2245	600	800	790	2430	640	840	123
RSF-27-60/100	27	1000	1311	600	1000	990	1500	640	1040	109
RSF-42-60/100	42	1500	1978	600	1000	990	2160	640	1040	135
RSF-45-60/100	45	1500	2111	600	1000	990	2290	640	1040	142
RSF-48-60/100	48	1500	2245	600	1000	990	2430	640	1040	148
RSF-42-60/120	42	1500	1978	600	1200	1190	2160	640	1240	149
RSF-45-60/120	45	1500	2111	600	1200	1190	2290	640	1240	170
RSF-48-60/120	48	1500	2245	600	1200	1190	2430	640	1240	178
RSF-27-80/80	27	1000	1311	800	800	790	1500	840	840	100
RSF-42-80/80	42	1500	1978	800	800	790	2160	840	840	134
RSF-45-80/80	45	1500	2111	800	800	790	2290	840	840	141
RSF-48-80/80	48	1500	2245	800	800	790	2430	840	840	147
RSF-27-80/100	27	1000	1311	800	1000	990	1500	840	1040	124
RSF-42-80/100	42	1500	1978	800	1000	990	2160	840	1040	157
RSF-45-80/100	45	1500	2111	800	1000	990	2290	840	1040	165
RSF-48-80/100	48	1500	2245	800	1000	990	2430	840	1040	173
RSF-42-80/120	42	1500	1978	800	1200	1190	2160	840	1240	175
RSF-45-80/120	45	1500	2111	800	1200	1190	2290	840	1240	198
RSF-48-80/120	48	1500	2245	800	1200	1190	2430	840	1240	208

* Height in mm without feet; for feet add 16-45 mm

PREMIUM RACK SERIES PLATES

PREMIUM rack series gives you unlimited flexibility when planning the final look of your rack, thanks to the interchangeable top and bottom plates. A portfolio of three different single-piece top plates and an even wider range of segmented bottom plates represent a unique interface between out-of-rack and in-rack cabling systems (like OptiWay, Top Ducts and High Density Wire Managers). Simply choose the plate design (quantity and type of cable entry openings) that perfectly suits to your needs. All presented plates here are applicable for RHF, RSF and RDF rack series.

TOP PLATES

Top plates are designed as single-pieces with three different design options. They are delivered already installed or separately in a carton box. The plate is always delivered with blanking panels/plastic caps.

Installation in the rack

Code *	RHF/RDF/RSF footprint in mm
CO-TI-60/80-X-Y	600x800
CO-TI-60/100-X-Y	600x1000
CO-TI-60/120-X-Y	600x1200
CO-TI-80/80-X-Y	800x800
CO-TI-80/100-X-Y	800x1000
CO-TI-80/120-X-Y	800x1200

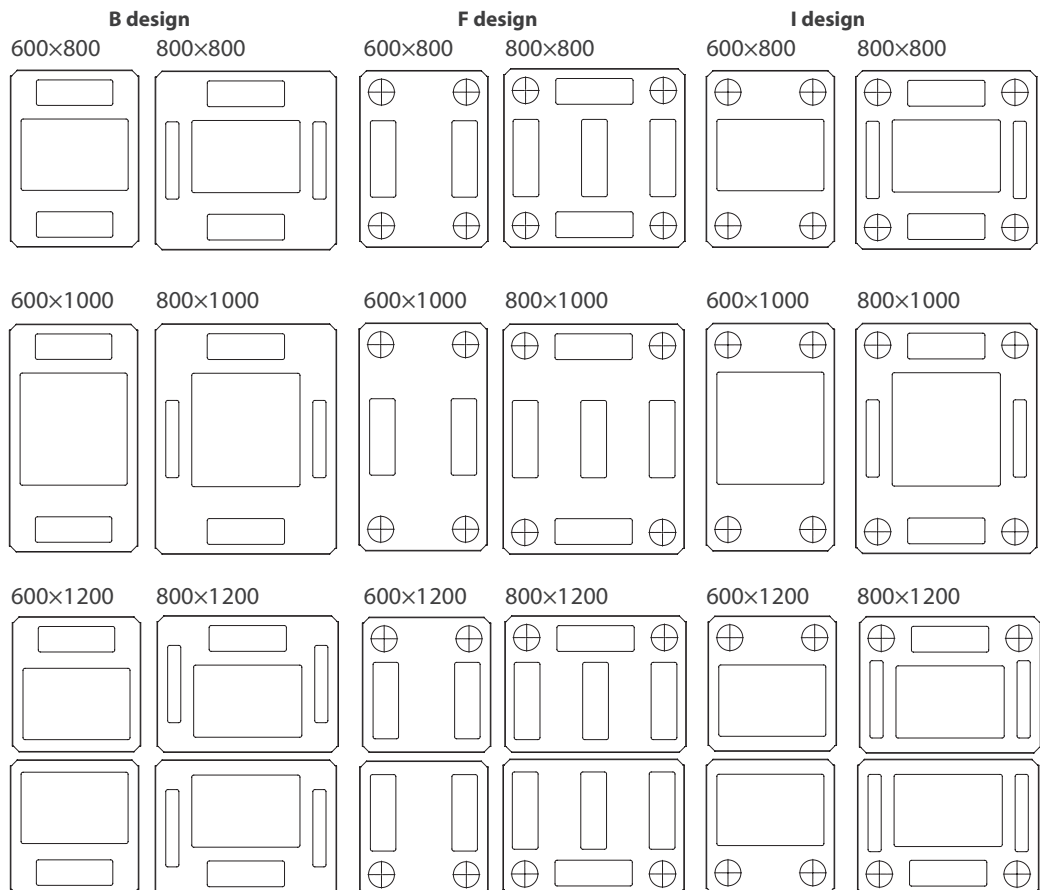
* To be ordered together with rack that you want to have plate installed in

Choose the design you like and write its code (B, I, F or Z) instead of X. Write B for gray (RAL 7035) or H for black (RAL 9005) instead of Y.

Delivery in carton box

Code	RHF/RDF/RSF footprint in mm
CO-TU-60/80-X-Y	600x800
CO-TU-60/100-X-Y	600x1000
CO-TU-60/120-X-Y	600x1200
CO-TU-80/80-X-Y	800x800
CO-TU-80/100-X-Y	800x1000
CO-TU-80/120-X-Y	800x1200

Choose the design you like and write its code (B, I, F or Z) instead of X. Write B for gray (RAL 7035) or H for black (RAL 9005) instead of Y.



B and Z design are compatible with request with IP54

BOTTOM PLATES

Bottom plates are designed as segmented. Full bottom plate (set) consists of 3 or 4 plates. They are delivered already installed or separately in a carton box. Plate is always delivered with blanking panels/plastic caps.

Installation in the rack

Code *	RHF/RDF/ RSF foot- print in mm
CO-BI-60/80-XXX-Y	600x800
CO-BI-60/100-XXX-Y	600x1000
CO-BI-60/120-XXXX-Y	600x1200
CO-BI-80/80-XXX-Y	800x800
CO-BI-80/100-XXX-Y	800x1000
CO-BI-80/120-XXXX-Y	800x1200

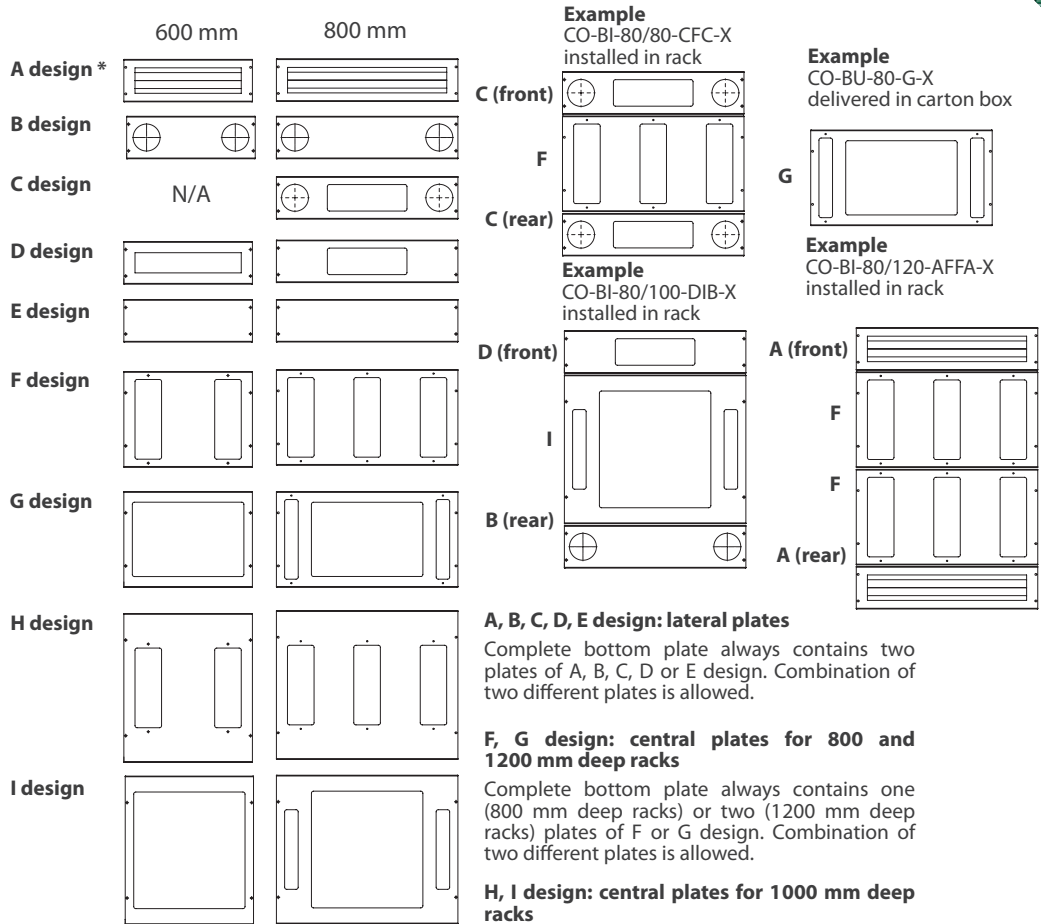
* To be ordered together with rack that you want to have the plate installed in

Define the desired bottom plate set. Choose the design of plates you like and write its codes (A – I) **in front to rear order** instead of X. Write B for gray (RAL 7035) or H for black (RAL 9005) instead of Y. Any plate may be omitted (incomplete bottom plate sets applicable – results in no IP protection). Write 0 if the position should be left empty.

Delivery in carton box

Code	RHF/RDF/RSF width in mm
CO-BU-60-X-Y	600
CO-BU-80-X-Y	800

Single plates can be delivered in carton boxes. Choose the design you like and write its code (A – I) instead of X. Write B for gray (RAL 7035) or H for black (RAL 9005) instead of Y.



A, B, C, D, E design: lateral plates

Complete bottom plate always contains two plates of A, B, C, D or E design. Combination of two different plates is allowed.

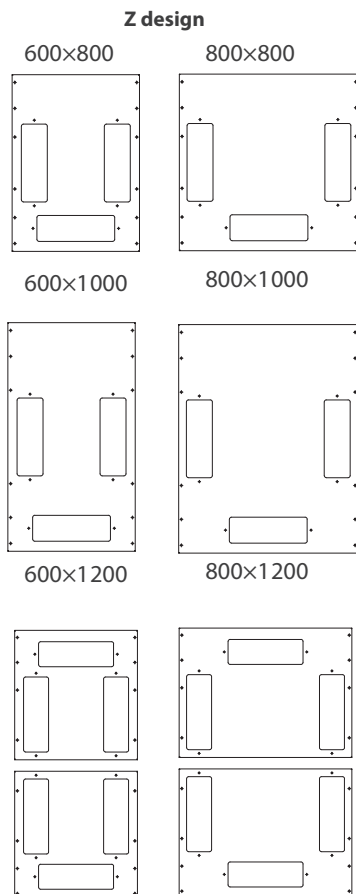
F, G design: central plates for 800 and 1200 mm deep racks

Complete bottom plate always contains one (800 mm deep racks) or two (1200 mm deep racks) plates of F or G design. Combination of two different plates is allowed.

H, I design: central plates for 1000 mm deep racks






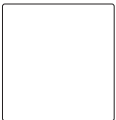

Complete bottom cover always contains always one plate of H or I design.

* plate is designed as divided with double brush



RECOMMENDED ACCESSORIES FOR PREMIUM PLATE CABLE ENTRIES

All cable entries are delivered with removable blanking panels or plastic caps. If removed, open cable entries result in no IP rating so water or dust can enter the rack. Sharp edges and poor management of entering cables can also negatively impact the service life of cables and their performance in data transmission. With products from the portfolio "cable protection in cable openings" both problems can be prevented. For more information on those products see appropriate data sheet.

 300x100 mm Cable entry openings, covered by removable sheet steel blank panel	 300x50 mm Cable entry openings, covered by removable sheet steel blank panel	 4" (100 mm) Cable entry openings, covered by removable plastic cap	 Dimensions of brush openings: width 60 – 76x400 mm width 80 – 76 x600 mm
 420x280 mm Ventilation unit openings, covered by removable sheet steel blank panel, allows for installation of 6-fan unit	 420x440 mm Ventilation unit openings, covered by removable sheet steel blank panel, allows for installation of 9-fan unit	 Example of installed plates and cable opening in a rack	<p><i>These openings are used for the installation of ventilation unit. For more information on ventilation units and related products see appropriate data sheet</i></p>